

## Service Note - 22004 Regarding Air Filter

Date: 02-07-2022

**Danfoss IXA A/S  
Service & Support**  
www.danfoss-ixa.com

**Address**  
Marsvej 5  
DK-6000 Kolding  
**Contact**  
ixa.service@danfoss.com  
+45 7488 8500

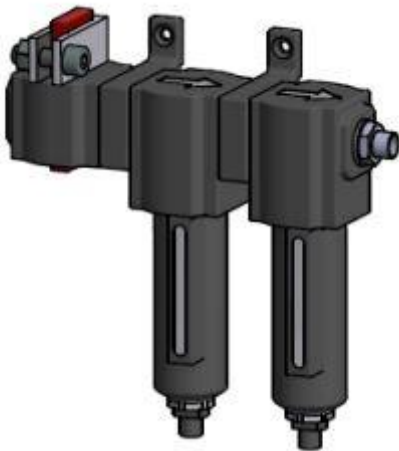
Dear Customer.

At Danfoss IXA our products are subjects to continuous development and updates. We strive to keep our customers informed regarding these developments and updates hence we send you this Service Note for MES1001. Kindly read the below information.

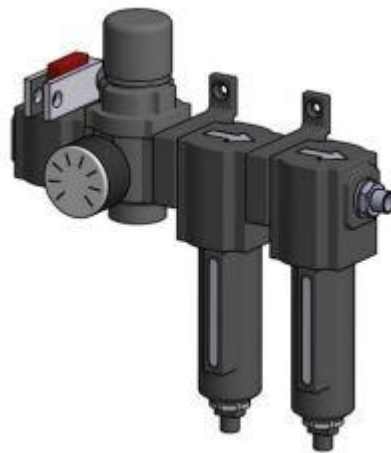
### Discontinuation filter air filters

From July 2022 the following air filters will be discontinued:

- 930003-001 – Standard Air Filter
- 930004-001 – Standard Air Filter with Pressure Gauge



930003-001



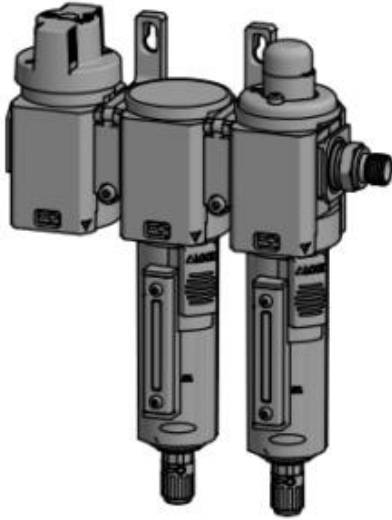
930004-001

Spare filter elements set for 930001-001 and 930004-001 is still available and can be ordered under the number:

- 930001-010 – Standard Filter Element Set

As of July 2022 a new version of the standard air filter will be available offering the same functionality as 930003-001. Input and output interface remains unchanged. The new filter can be ordered under the number:

- 930095-001 – Standard Air Filter, Type II



930095-001

Note: There is currently no replacement for 930004-001.

Spare filter elements set containing 1 pcs. 5um water/dirt filter element and 1 pcs. 0,01 um oil filter element for 930095-001 Standard Air Filter, Type II can be ordered under the number:

- 9300096-001 – Standard Filter Element Set, Type II

\*\*\*\*\*

The changes in the filter dimensions are minor, but for information about dimension details please request the Product Specification Drawing 930095-PSD from our Service and Support by contacting [ixa.service@danfoss.com](mailto:ixa.service@danfoss.com)

Best regards,  
Service & Support

[ixa.service@danfoss.com](mailto:ixa.service@danfoss.com)

---

Debnath Mandal  
Service and Support Manager

02-07-2022